

# A.O. SMITH

## ELECTRICAL PRODUCTS COMPANY

A DIVISION OF A.O. SMITH CORPORATION



### NEW PRODUCT ANNOUNCEMENT

**NEW!**

## C-FRAME EVAPORATION FAN MOTOR KIT



Stock No. **C01700**

#### Kit Includes:

- Three Fans
  - 4 blade fan 5.50 dia. CCW\*
  - 5 blade fan 5.50 dia. CCW\*
  - 5 blade fan 4.00 dia. CW\*
- \*Rotation facing air discharge or hubside
- Bohn/Heatcraft Mounting Hardware and O.E.M. Fan Blade Included

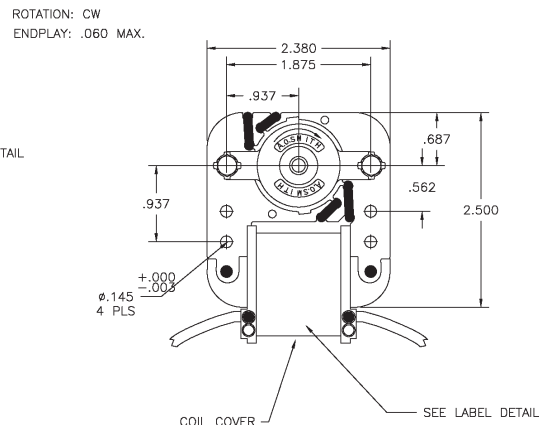
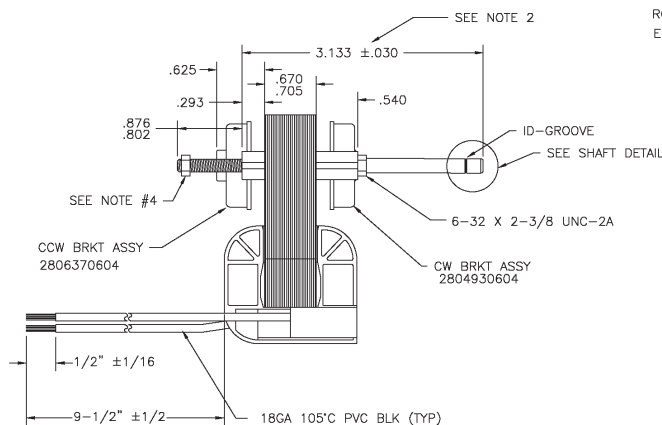
#### Motor Specs:

- Single Speed                      • 3000 RPM
- CWSE                                      • 60 HZ
- 120 Volts                                  • 0.45 Amps
- Mechanically reversible

#### Replacement for:

- Acme 700

\*See reverse side for additional C-Frame Evaporation Replacement Motors



Stock No.	HP	Stack Size	RPM	Speed	Volts	Amps	Shaft Dia. & Length
C01700	1/100	5/8"	3000	1	120	0.45	3/16" x 1-1/2"

Distribution Services  
531 North Fourth Street  
Tipp City, OH 45371

**NOW AVAILABLE!**  
**FAX OR PHONE YOUR ORDER TODAY!**

(800) 672-6495  
Fax: (800) 468-2062  
www.aosmithmotors.com

# C-FRAME EVAPORATIVE FAN MOTORS

## 120 Volt, Evaporative Fan Motors



Type C



Type D



Type E



Type F



Type G

Stack Size	RPM/Speeds	Volts	Amps	Stock Number	Shaft Dia. and Length	Rotation	Motor Type	Industry Reference		Notes
								Gem		
1/2"	3000	120	.31	<b>C01332</b>	3/16" x 1-5/8"	CWSE	C	<b>EM332</b>	For Frigidaire	64
1/2"	3000	120	.39	<b>C01333</b>	3/16" x 1-1/8"	CCWSE	C	<b>EM333</b>	For Frigidaire	64
1/2"	3000	120	.30	<b>C01334</b>	3/16" x 1-3/4"	CWSE	E	<b>EM334</b>	For Admiral	64
5/8"	3000	120	.40	<b>C01335</b>	3/16" x 1-3/8"	CWSE	D	<b>EM335</b>	For Admiral	64
1/2"	3000	120	.20	<b>C01336</b>	1/8" x 1-1/4"	CWSE	F	<b>EM336</b>	For Gibson/Frigidaire	77
3/4"	3000	120	.86	<b>C01337</b>	3/16" x 2"	CCWSE	G	<b>EM337</b>	For Amana/Westinghouse	64

Notes: 64. Spade Connector 77. Molex Plug



CDEL671,  
CRAN590

## C-Frame, Commercial, Evaporative Fan Motors for Restaurant Equipment

Stack Size	RPM	Volts	Amps	Stock Number	Shaft Dia. and Length	Rotation Shaft End	Industry Reference		Notes
							Delfield	Randall	
1/2"	3000	120	.39	<b>CDEL671</b>	3/16" x 3/4"	CCW	2162671		64,176
1/2"	3000	120	.45	<b>CRAN590</b>	3/16" x 1"	CW		3590	64,176

Notes: 64. Spade Connector 176. Moisture Proof Stator

## Plastic Fan Blades Used with C-Frame Motors



Type A



Type B



Type C

Stock No.	Diameter	Hub I.D.	For Shaft Size	No. of Blades	Rotation*	Fan Type
626135	4.62"	"D" Shaped	.218" or 7/32"	Impeller	CW/CCW	A
626137	4.00"	Round	.187" or 3/16"	5	CW	C
700027	4.19"	Round	.181"	5	CW	C
700047	5.50"	Round	.187" or 3/16"	4	CCW	B
700048	5.50"	Round	.218" or 7/32"	4	CCW	B
700046	5.56"	Round	.187" or 3/16"	5	CCW	C
700049	5.56"	Round	.218" or 7/32"	5	CCW	C